

FJ11 SERIES MULTI-AXIS HAND OPERATED JOYSTICK

FJ11系列
指尖型多轴操作手柄

产品特点 Product Features

- Dual-axis finger operated, spring return.
- Spring return
- With center tap potentiometer angle detection.
- 2mA (max) current directional switch.
- Proportional amplifier to direct drive hydraulic proportional valve optional.



应用范围 Application

Typical application on remote control box, off-highway vehicle.

技术参数 Technical Information

Electrical data

Power supply	<36Vdc
Total resistance	5K Ω
Electrical angle	$\pm 30^\circ$
Center tap voltage	48%~52% (Percentage of power supply)
Center tap angle	$\pm 2.5^\circ$
On-load voltage (max)	32Vdc
Allowance maximum power dissipation	0.25W (25 $^\circ$ C)
Directional switch:	
Load capacity:	2mA@30Vdc (Resistance load)
Breakout angle	$\pm 3^\circ \sim \pm 5^\circ$
Contact resistance	<200 Ω

Mechanical features

Travel angle	$\pm 32^\circ$
Operating type:	Spring return
Breakout force	3.8N
Operating force (max)	12N
Maximum allowance force	300N
	(>160N,H handle)
Expecting life	>2 million cycles
Weight	125g

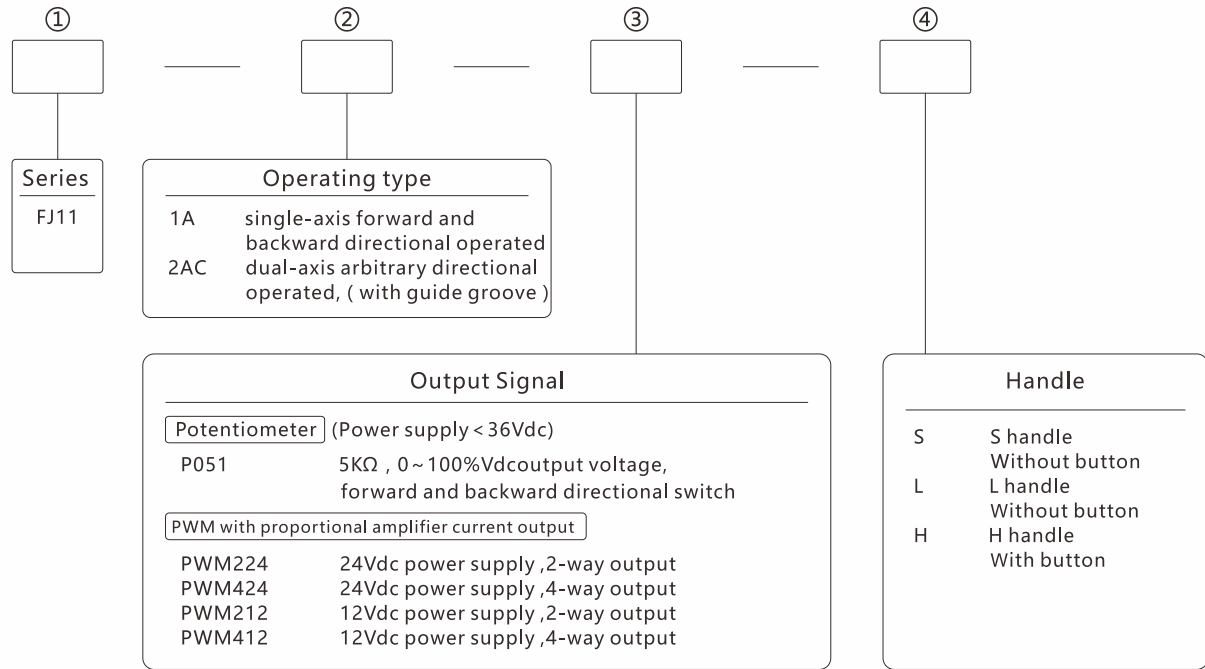
Environmental data

Operating temperature	-30 $^\circ$ C ~ +70 $^\circ$ C
Storage temperature	-40 $^\circ$ C ~ +85 $^\circ$ C
Protection level	Ip65(above the flange)

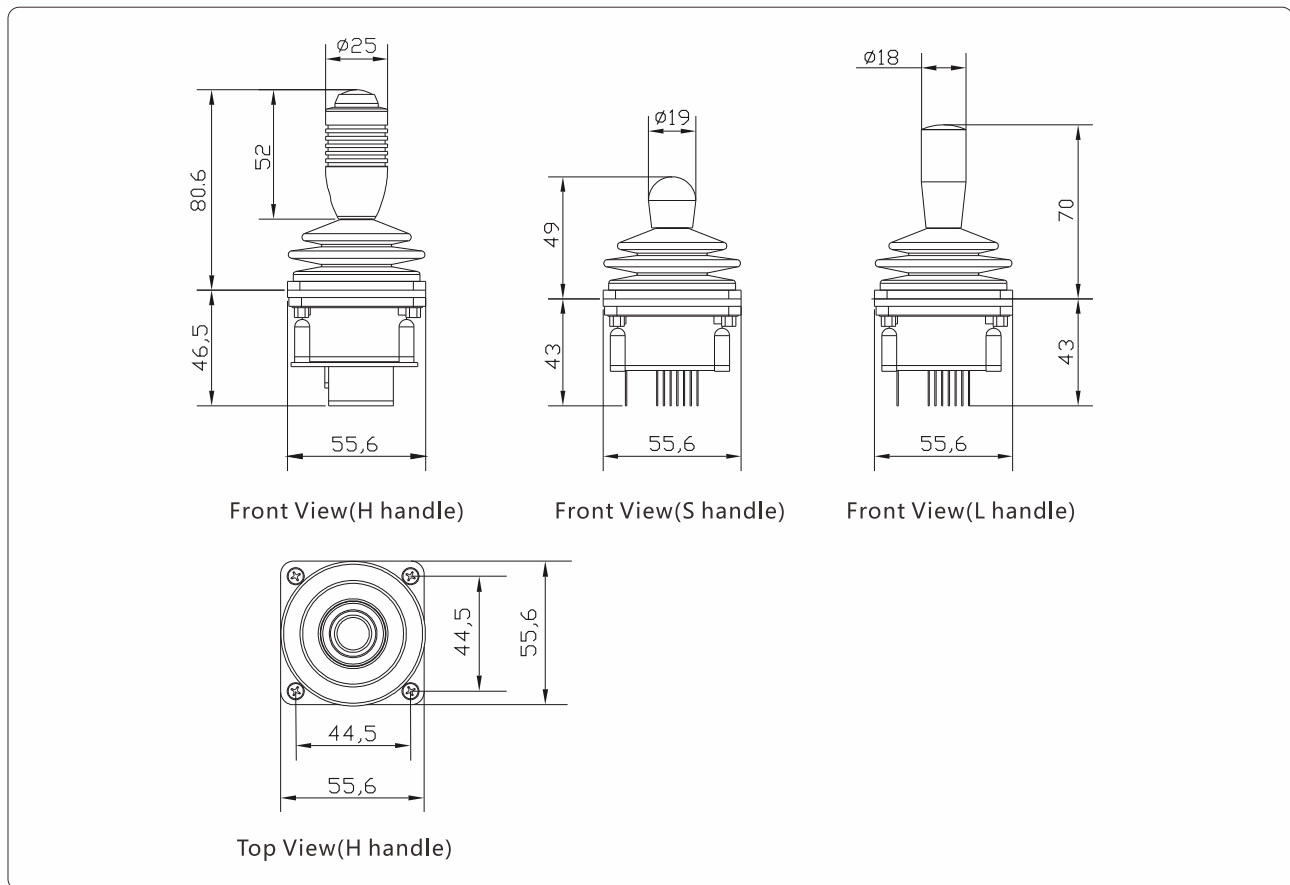


FJ 11 SERIES MULTI-AXIS HAND OPERATED JOYSTICK

产品选型 Product Configuration

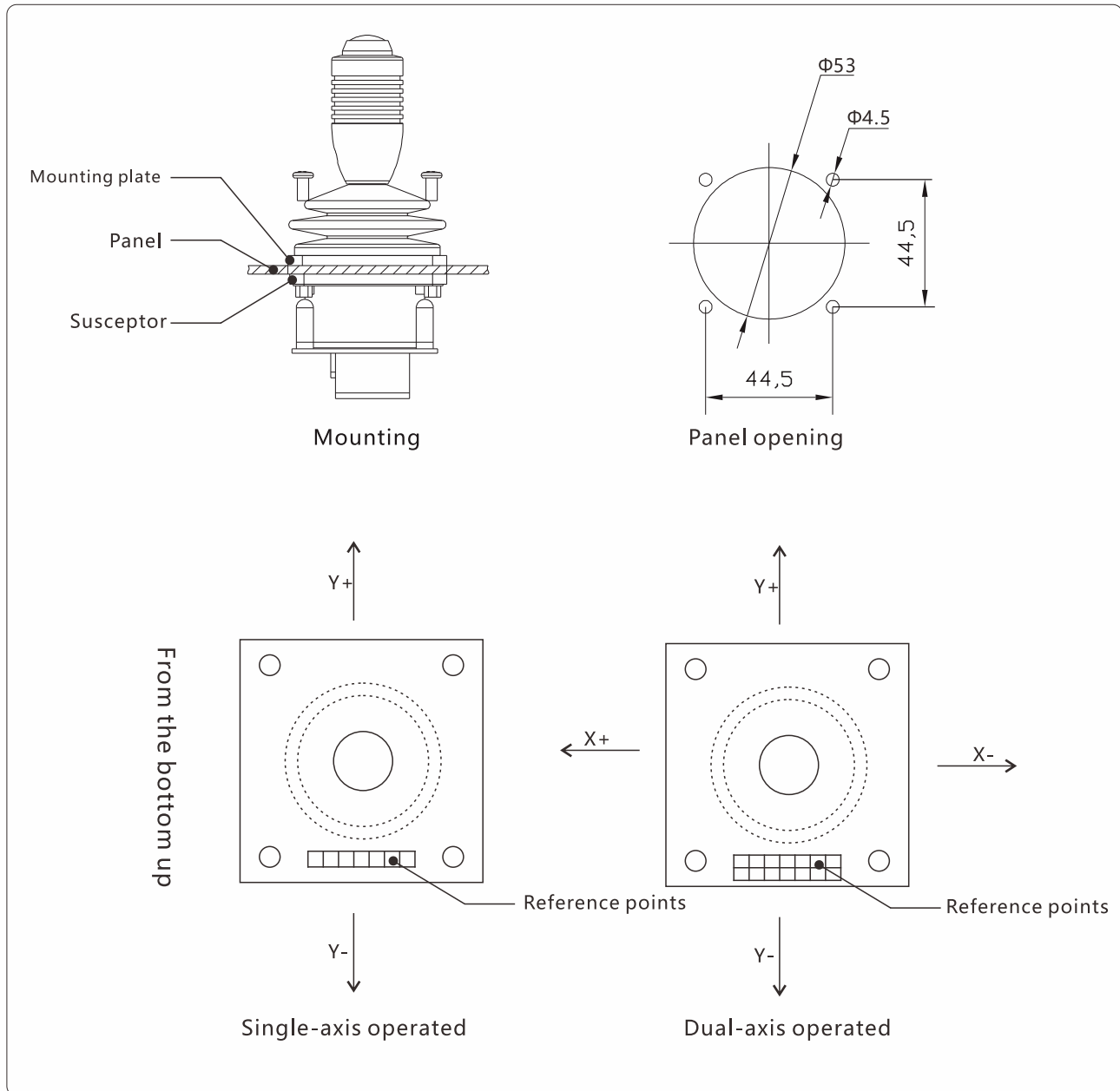


外形尺寸 Dimensions



FJ 11 SERIES MULTI-AXIS HAND OPERATED JOYSTICK

机械安装 Product Installation

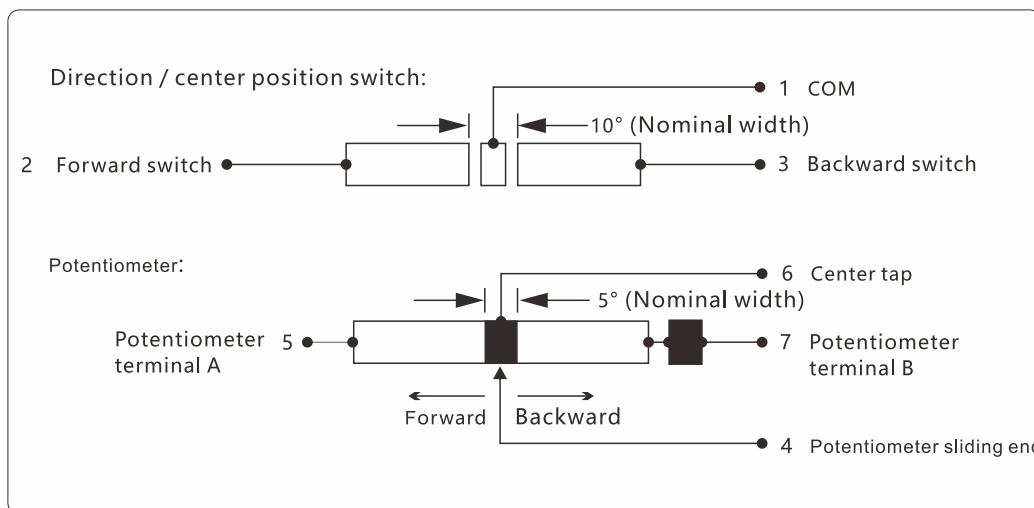
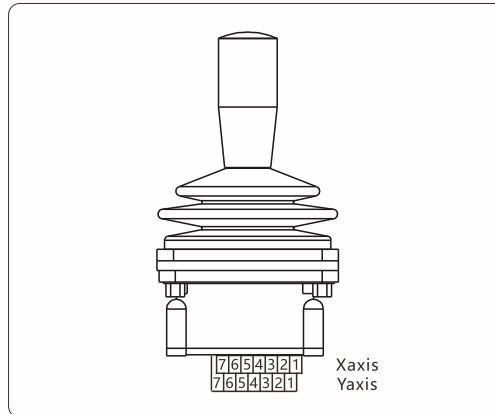


FJ11 SERIES MULTI-AXIS HAND OPERATED JOYSTICK

电气安装 Electrical Connections

connector

connector	Potentiometer
1	Com
2	Backward switch
3	Potentiometer sliding end
4	Potentiometer terminal A
5	Center tap
6	Potentiometer terminal B
7	Button switch
8	Button switch
9	----



with proportional amplifier

